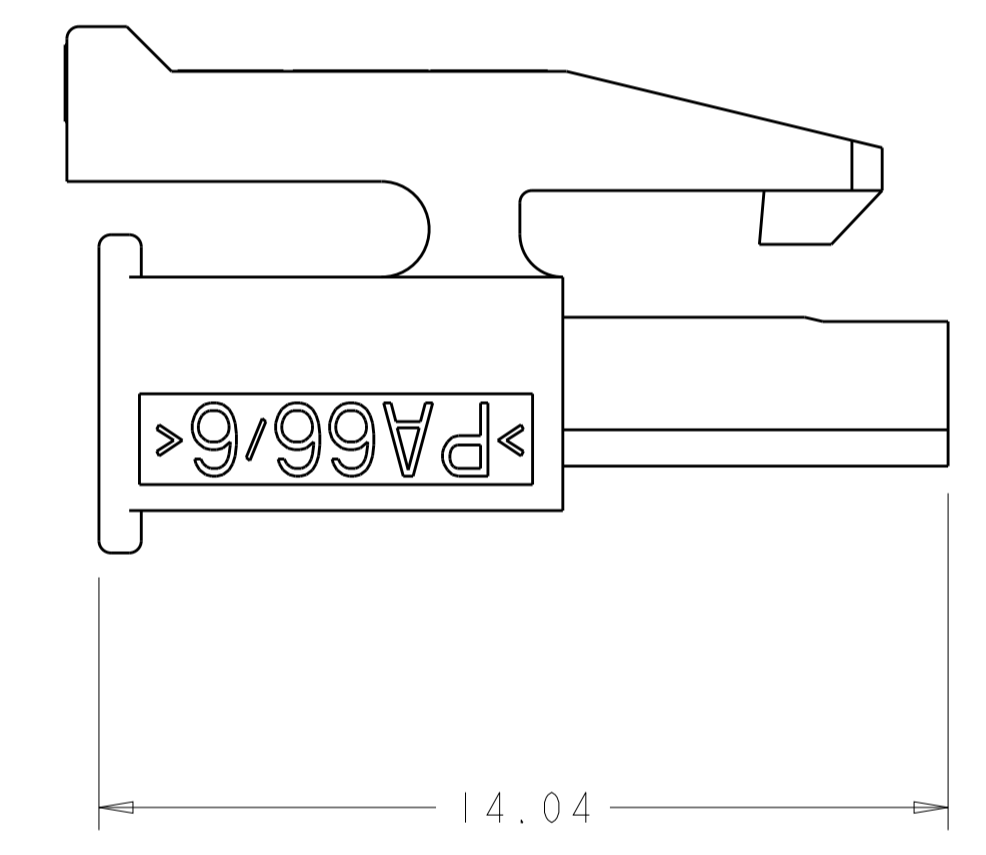
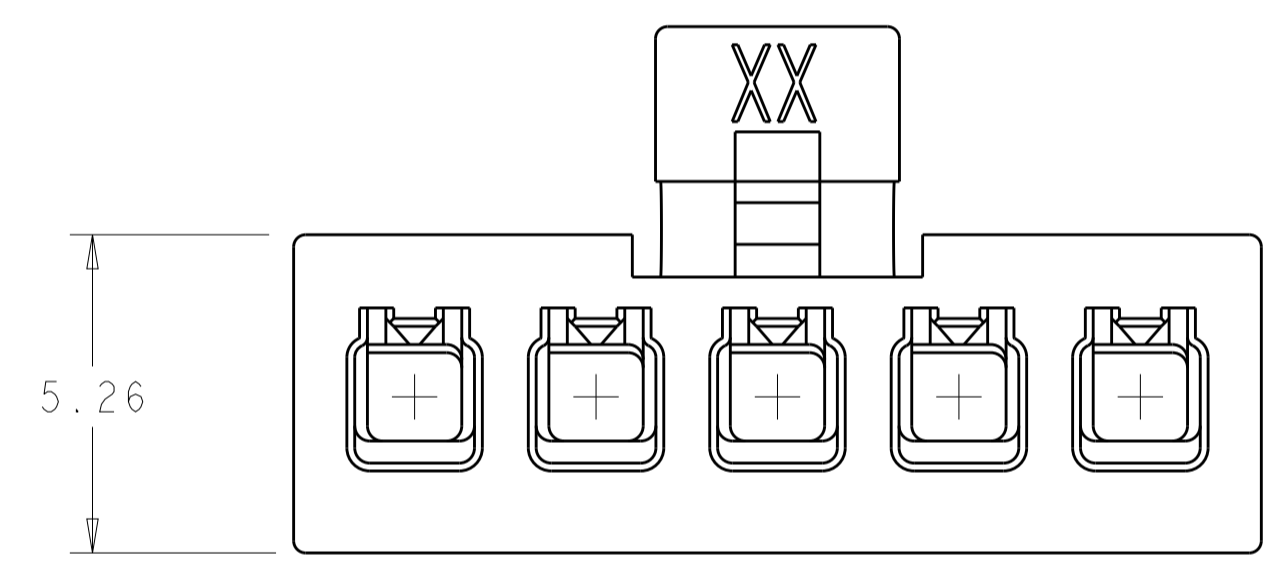


LOC		DIST		REVISIONS				
CM	00	P	LTN	DESCRIPTION	DATE	DWN	APVD	
		D		REVISED PER ECO-17-000100	17MAR2017	CX	DZ	



- ① CIRCUIT 1 IDENTIFIER, LOCATED APPROXIMATELY AS SHOWN.
- ② LAST CIRCUIT IDENTIFIER, LOCATED APPROXIMATELY AS SHOWN.
- ③ MATERIAL NYLON66/6 V0 UL94
- ④ MATERIAL PA66 V0 GW UL94.



REMARK	VOLUME mm <sup>3</sup>	DIM A	NO OF POS.	PART NO.
④	444.06	13	4	2-1445022-4
	363.34	10	3	2-1445022-3
	282.61	7	2	2-1445022-2
③	1091.66	37	12	1-1445022-2
	1011.3	34	11	1-1445022-1
	929.64	31	10	1-1445022-0
	847.19	28	9	1445022-9
	768.32	25	8	1445022-8
	686.23	22	7	1445022-7
	605.73	19	6	1445022-6
	525.93	16	5	1445022-5
	444.06	13	4	1445022-4
	363.34	10	3	1445022-3
282.61	7	2	1445022-2	

THIS DRAWING IS A CONTROLLED DOCUMENT. DWN R. WHITAKER 14AUG2001  
 CHK C. JONES 14AUG2001  
 APVD C. JONES 14AUG2001

**STE** TE Connectivity

RECEPTACLE HOUSING,  
 2 TO 12 POSITION, SINGLE ROW,  
 MICRO MATE-L-LOK(TM)

SIZE CAGE CODE DRAWING NO RESTRICTED TO  
 A100779C=1445022

CUSTOMER DRAWING SCALE 8:1 SHEET 1 OF 1 REV D