



»» Features

- Flat pack miniature PCB Relays.
- High rating 16A 125VAC, 16A 277VAC.
- Optional with 187 quick connect terminals.
- SPNO, SPDT of contact configuration.
- Sealed flux free or sealed washable version of choices.
- Comply with RoHS-Directive 2002/95/EC.

»» Type List

◆ Standard Type

Terminal style	Contact form	UL Insulation system approval	Designation		
			Flux tight	Sealed type	Sealed type washable
PCB terminal	1A (SPNO)	F	201-1AC-F-C	201-1AC-F-V	201-1AC-F-S
			201-1AH-F-C	201-1AH-F-V	201-1AH-F-S
	1C (SPDT)	F	201-1CC-F-C	201-1CC-F-V	201-1CC-F-S
			201-1CH-F-C	201-1CH-F-V	201-1CH-F-S
WP (PCB terminal and Quick terminal)	1A (SPNO)	F	201WP-1AC-F-C	201WP-1AC-F-V	201WP-1AC-F-S
			201WP-1AH-F-C	201WP-1AH-F-V	201WP-1AH-F-S

◆ High Sensitivity Type

PCB terminal	1A (SPNO)	F	201N-1AC-F-C	201N-1AC-F-V	201N-1AC-F-S
			201N-1AH-F-C	201N-1AH-F-V	201N-1AH-F-S
WP (PCB terminal and Quick terminal)	1A (SPNO)	F	201WPN-1AC-F-C	201WPN-1AC-F-V	201WPN-1AC-F-S
			201WPN-1AH-F-C	201WPN-1AH-F-V	201WPN-1AH-F-S

»» Ordering Information

201 WP N - 1C H - F - C
 1 2 3 4 5 6 7

- | | |
|---|-------------------------------|
| 1. 201 -- Basic series designation | 5. C -- Contact material AgNi |
| | H -- Contact material AgSnO |
| 2. Blank -- PCB terminals | |
| WP -- PCB terminals + quick terminals (only for 1A) | 6. Blank -- Standard type |
| | F -- Class F |
| 3. Blank -- Standard type | |
| N -- High sensitivity type (only for 1A) | 7. C -- Flux tight |
| | V -- Sealed type |
| | S -- Sealed type washable |
| 4. 1A -- Single pole normally open | |
| 1C -- Single pole double throw | |

»» Contact Rating

Rated load (resistive)	NO/NC: 12A/8A 240VAC
Max. switching current	12A
Max. switching voltage	277VAC
Max. switching capacity	2880VA

»» Coil Rating (DC)

◆ Standard Type

Rated voltage (V)	Rated current $\pm 10\%$ at 23°C (mA)	Coil resistance $\pm 10\%$ at 23°C (Ω)	Max. continuous voltage at 70°C	Pick up voltage(Max) at 23°C	Drop out voltage(Min) at 23°C	Power consumption at rated voltage
3	133	22.5	150 % of rated voltage	75 % of rated voltage	5 % of rated voltage	approx. 0.4W
5	80	62.5				
6	66.7	90				
9	44.4	202.5				
12	33.3	360				
15	26.7	562.5				
18	22.2	810				
24	16.7	1440				
36	11.1	3240				
48	8.3	5760				
60	6.7	9000				
100	6.0	16667	130 % of rated voltage	70 % of rated voltage		approx. 0.6W

◆ High Sensitivity Type (for IA type)

Rated voltage (V)	Rated current $\pm 10\%$ at 23°C (mA)	Coil resistance $\pm 10\%$ at 23°C (Ω)	Max. continuous voltage at 70°C	Pick up voltage(Max) at 23°C	Drop out voltage(Min) at 23°C	Power consumption at rated voltage
3	66.7	45	160 % of rated voltage	75 % of rated voltage	5 % of rated voltage	approx. 0.2W
5	40	125				
6	33.3	180				
9	22.2	405				
12	16.7	720				
15	13.3	1125				
18	11.1	1620				
24	8.3	2880				
36	5.6	6480				
48	4.2	11520				
60	3.3	18000				

>>> Specification

Contact material	AgSnO / AgNi alloy	
Contact resistance ⁽¹⁾	100 mΩ Max.	
Operate time / Bounce ⁽¹⁾	10ms Max.	
Release time ⁽¹⁾	10ms Max.	
Insulation resistance ⁽¹⁾	1000 MΩ Min. (DC 500V)	
Dielectric strength ⁽¹⁾	Between open contact	: AC 1000V , 50/60Hz 1 min.
	Between contact and coil	: AC 2500V , 50/60Hz 1 min.
Vibration resistance	Operating extremes	10~55Hz , amplitude 1.6 mm
	Damage limit	10~55Hz , amplitude 2 mm
Shock resistance	Operating extremes	20G
	Damage limits	100G
Life expectancy	Mechanical	10,000,000 operations (frequency 18,000 operations/hr)
	Electrical	100,000 operations (frequency 1,200 operations/hr)
Operating ambient temperature	-40°C ~ +70°C (no freezing)	
Weight	Approx. 8g	

Notes : (1) initial value

>>> Safety Approval

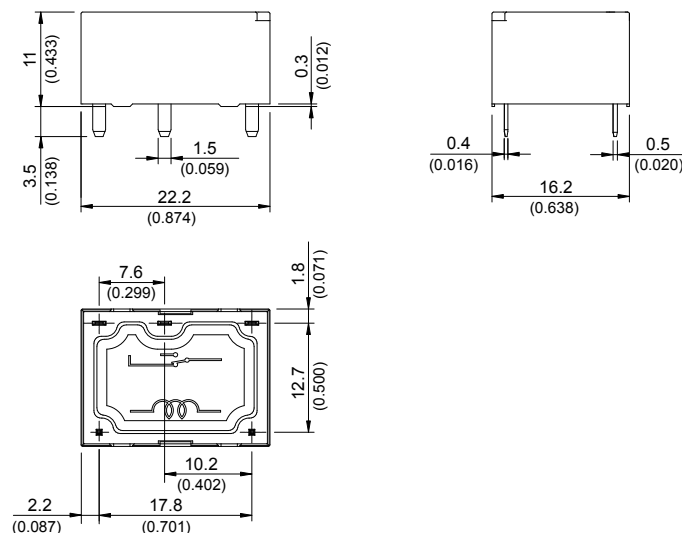
Certified	UL / CUL	TUV
File No.	E88991	R50044821

>>> Safety Approval Rating

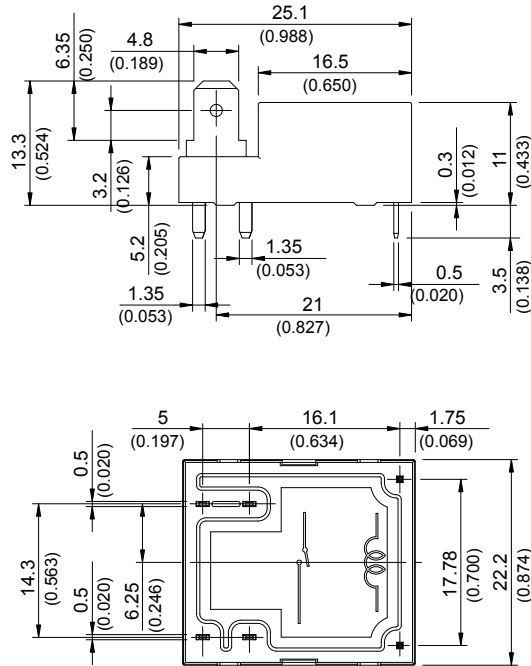
UL / CUL	TUV
NO : 16A 277VAC	NO : 16A 250VAC
NC : 10A 277VAC	NC : 10A 250VAC
NO/NC : 1/10HP,125VAC/277VAC (only for H,HA type)	

>>> Outline Dimensions

◆201

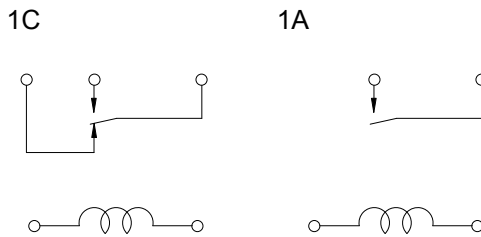


◆201WP

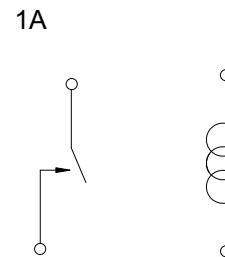


»» Wiring Diagram
BOTTOM VIEW

◆201

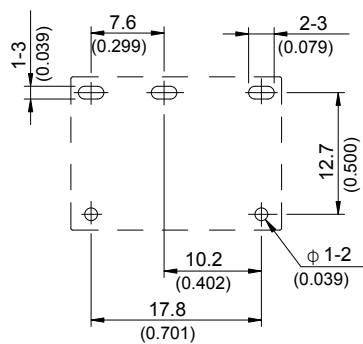


◆201WP

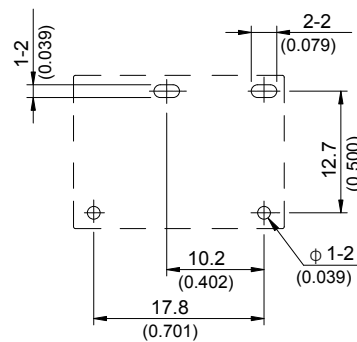


»» PC Board Layout
BOTTOM VIEW

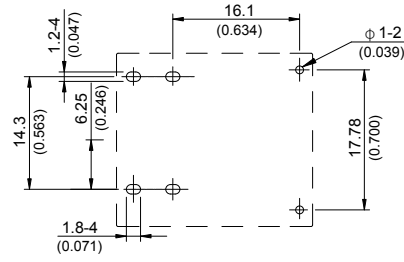
◆201 1C



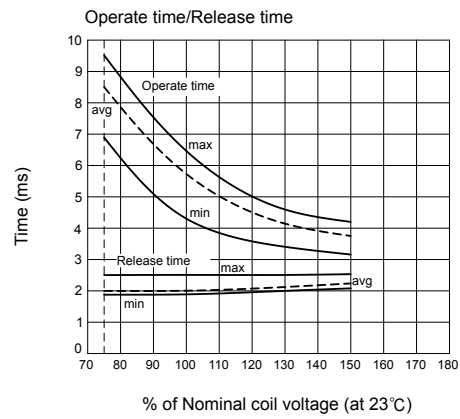
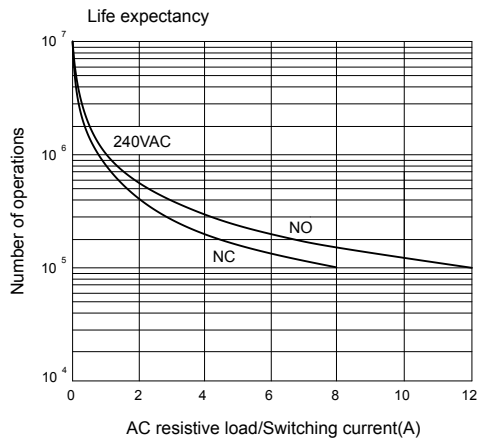
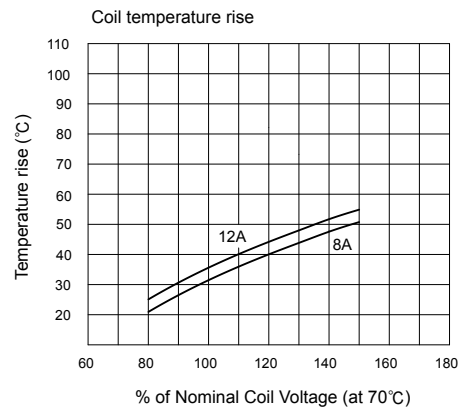
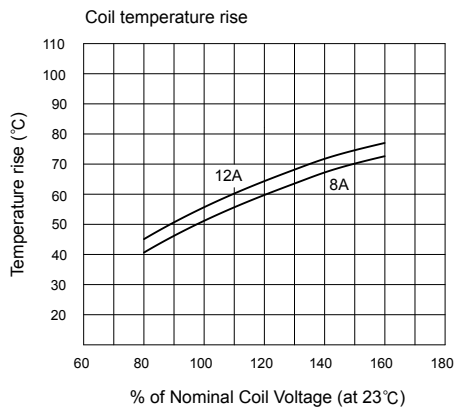
◆201 1A



◆ 201WP 1A



»» Engineering Data



Mouser Electronics

Authorized Distributor

Click to View Pricing, Inventory, Delivery & Lifecycle Information:

Song Chuan:

[201WP-1AC-F-S 12 Vdc](#) [201N-1AH-S-12VDC](#) [201WPN-1AH-C-12VDC](#) [201N-1AH-C-24VDC](#) [201N-1AH-S-5VDC](#)
[201N-1AH-S-48VDC](#) [201N-1AH-C-5VDC](#) [201WP-1AC-F-S 24 Vdc](#) [201N-1AH-C-48VDC](#) [201WPN-1AH-C-24VDC](#)
[201N-1AH-S-24VDC](#) [201-1AC-F-S 12 Vdc](#) [201-1AC-F-S 24 Vdc](#) [201N-1AH-C-12VDC](#)