

Pb Free Plating Product

## FF60UP30DN



60.0 Ampere, 300 Volt Common Cathode Fast Recovery Epitaxial Diode

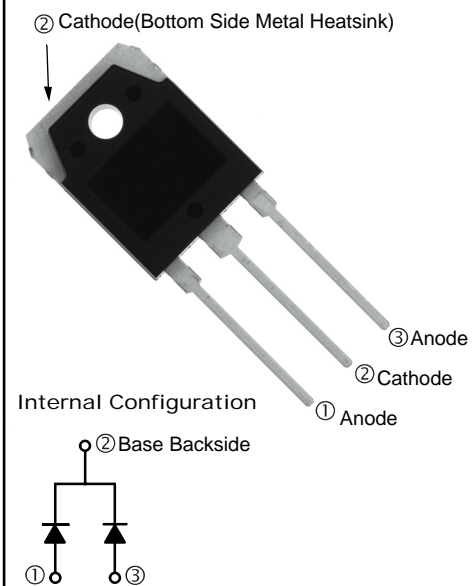
## APPLICATION

- Freewheeling, Snubber, Clamp
- Inversion Welder
- PFC
- Plating Power Supply
- Ultrasonic Cleaner and Welder
- Converter & Chopper
- UPS

## PRODUCT FEATURE

- Ultrafast Recovery Time
- Soft Recovery Characteristics
- Low Recovery Loss
- Low Forward Voltage
- High Surge Current Capability
- Low Leakage Current

## TO-3PB/TO-3PN



## GENERAL DESCRIPTION

FF60UP30DN using the latest FRED FAB process(planar passivation chip) with ultrafast and soft recovery characteristic.

## ABSOLUTE MAXIMUM RATINGS

 $T_C=25^{\circ}\text{C}$  unless otherwise specified

Symbol	Parameter	Test Conditions	Values	Unit
$V_R$	Maximum D.C. Reverse Voltage		300	V
$V_{RRM}$	Maximum Repetitive Reverse Voltage		300	V
$I_{F(AV)}$	Average Forward Current	$T_C=110^{\circ}\text{C}$ , Per Diode	30	A
		$T_C=110^{\circ}\text{C}$ , Per Package	60	A
$I_{F(RMS)}$	RMS Forward Current	$T_C=110^{\circ}\text{C}$ , Per Diode	42	A
$I_{FSM}$	Non-Repetitive Surge Forward Current	$T_J=45^{\circ}\text{C}$ , $t=10\text{ms}$ , 50Hz, Sine	480	A
$P_D$	Power Dissipation		156	W
$T_J$	Junction Temperature		-55to +150	$^{\circ}\text{C}$
$T_{STG}$	Storage Temperature Range		-55 to +150	$^{\circ}\text{C}$
Torque	Module-to-Sink	Recommended (M3)	1.1	N·m
$R_{th(J-C)}$	Thermal Resistance	Junction-to-Case, Per Diode	0.8	$^{\circ}\text{C}/\text{W}$
Weight			6	g

## ELECTRICAL CHARACTERISTICS

 $T_C=25^{\circ}\text{C}$  unless otherwise specified

Symbol	Parameter	Test Conditions	Min.	Typ.	Max.	Unit
$I_{RM}$	Reverse Leakage Current	$V_R=300\text{V}$	--	--	10	$\mu\text{A}$
		$V_R=300\text{V}$ , $T_J=125^{\circ}\text{C}$	--	--	10	mA
$V_F$	Forward Voltage	$I_F=30\text{A}$	--	1.25	1.8	V
		$I_F=30\text{A}$ , $T_J=125^{\circ}\text{C}$	--	1.12	--	V
$t_{rr}$	Reverse Recovery Time	$I_F=1\text{A}$ , $V_R=30\text{V}$ , $di_F/dt=-200\text{A}/\mu\text{s}$	--	22	--	ns
$t_{rr}$	Reverse Recovery Time	$V_R=150\text{V}$ , $I_F=30\text{A}$	--	35	--	ns
$I_{RRM}$	Max. Reverse Recovery Current	$di_F/dt=-200\text{A}/\mu\text{s}$ , $T_J=25^{\circ}\text{C}$	--	2.5	--	A
$t_{rr}$	Reverse Recovery Time	$V_R=150\text{V}$ , $I_F=30\text{A}$	--	70	--	ns
$I_{RRM}$	Max. Reverse Recovery Current	$di_F/dt=-200\text{A}/\mu\text{s}$ , $T_J=125^{\circ}\text{C}$	--	6.8	--	A

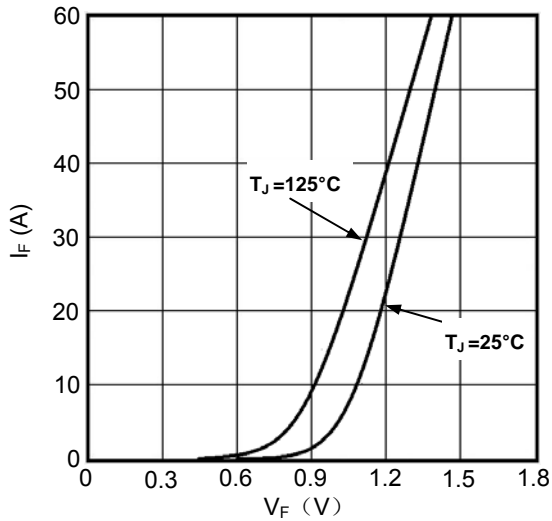


Fig1. Forward Voltage Drop vs Forward Current

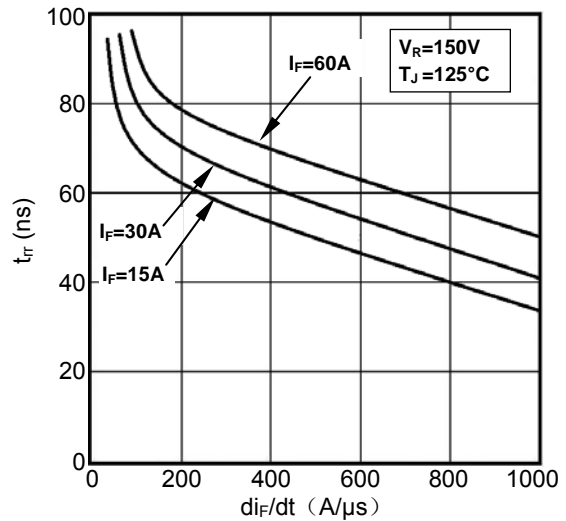


Fig2. Reverse Recovery Time vs  $di_F/dt$

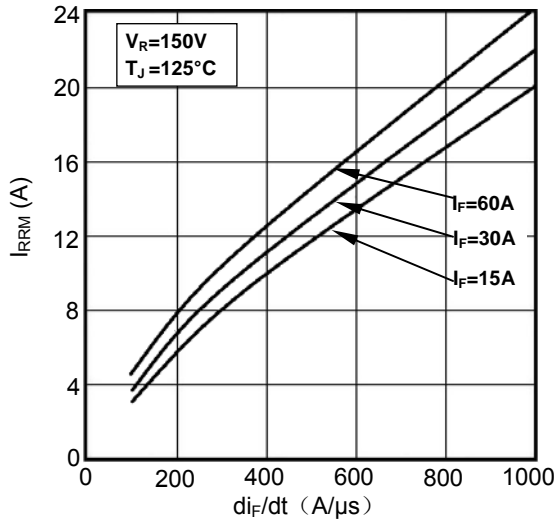


Fig3. Reverse Recovery Current vs  $di_F/dt$

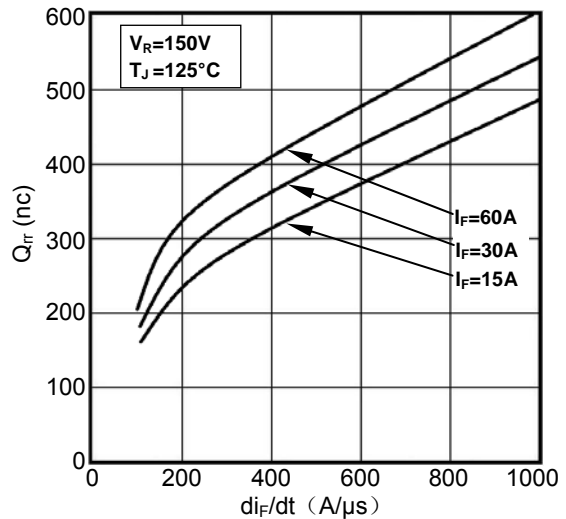


Fig4. Reverse Recovery Charge vs  $di_F/dt$

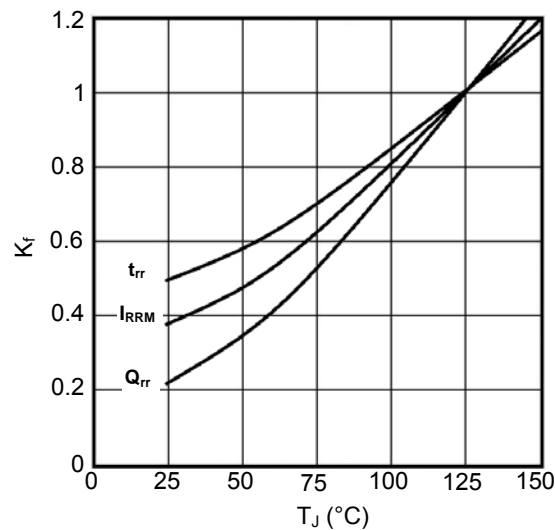


Fig5. Dynamic Parameters vs Junction Temperature

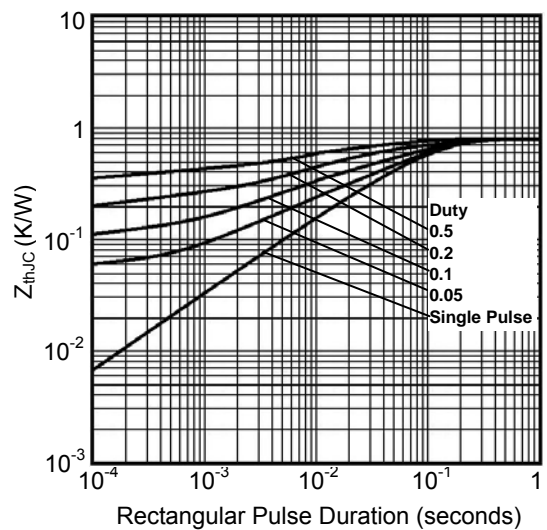


Fig6. Transient Thermal Impedance

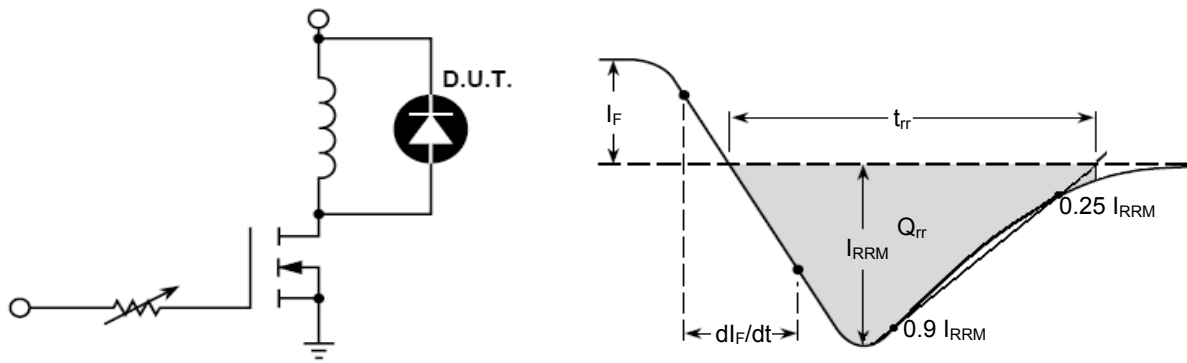
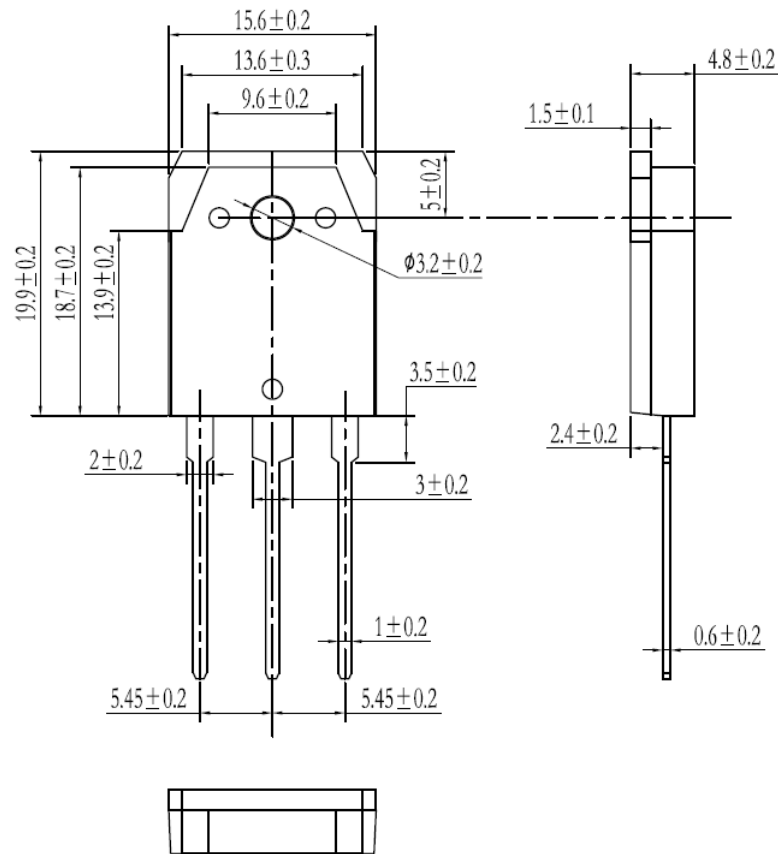


Fig7. Diode Reverse Recovery Test Circuit and Waveform



Dimensions in Millimeters  
Fig8. Package Outline