

# Product data sheet

## Characteristics

# XZCC12MCM40B

male, M12, 4-pin, elbowed connector - cable gland Pg 7



### Main

Accessory / separate part category	Cabling accessories
Accessory / separate part type	Connector
Electrical connection	Elbowed male connector M12, 4 pins
Collar material	Metal
Status LED	Without
Cable connection	Screw terminal / wire size <math><0.75 \text{ mm}^2</math> / clamping capacity 3...6 mm

### Complementary

Cable gland type	Pg 7
Cable connector fixing	Screw-on
[Ue] rated operational voltage	125 V AC 150 V DC
[In] rated current	3 A
Enclosure material	Plastic
Minimum insulating resistance	1000 G $\Omega$
Contact resistance	8000 $\mu\text{Ohm}$
Net weight	0.025 kg

### Environment

IP degree of protection	IP67
Ambient air temperature for operation	-40...85 °C

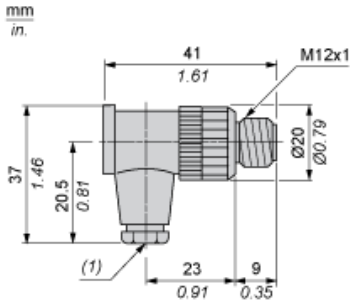
### Offer Sustainability

REACH Regulation	<a href="#">REACH Declaration</a>
EU RoHS Directive	Pro-active compliance (Product out of EU RoHS legal scope) <a href="#">EU RoHS Declaration</a>
Mercury free	Yes
RoHS exemption information	<a href="#">Yes</a>

### Contractual warranty

Warranty	18 months
----------	-----------

Dimensions



(1) Cable gland : no. 7 plastic (Pg 7)

---

Connections and Schemes

---

