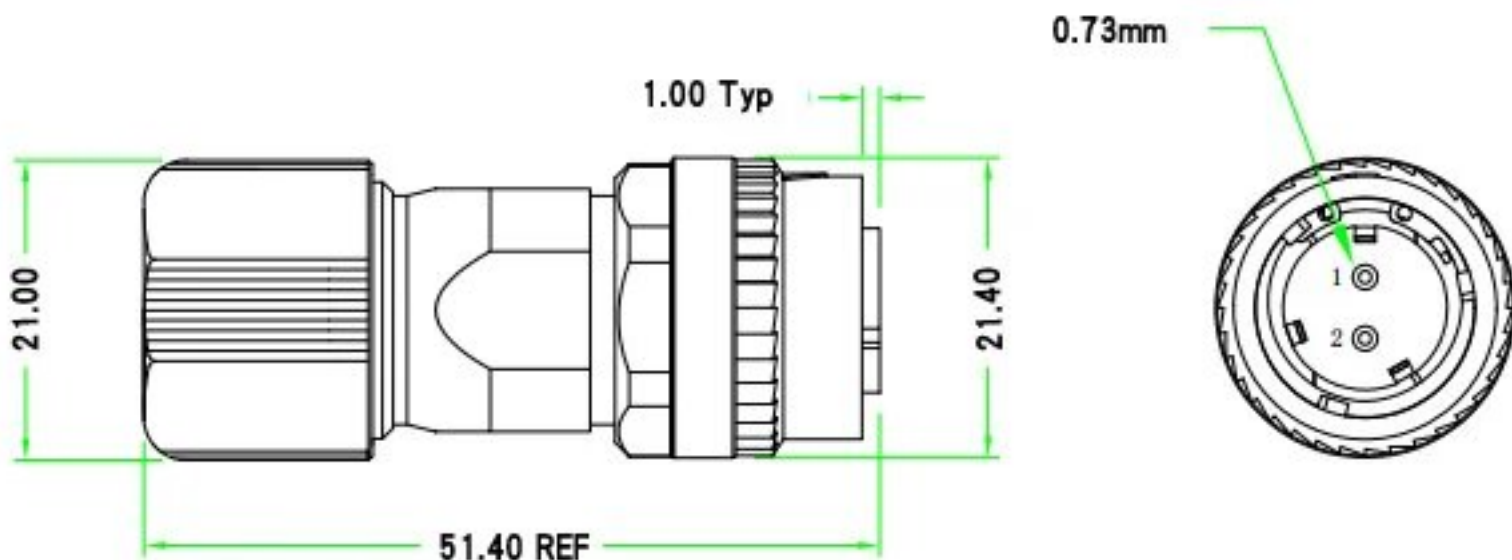


CM10-SP2S



Technical Parameters

Rated Current: 3A Max. / Contact

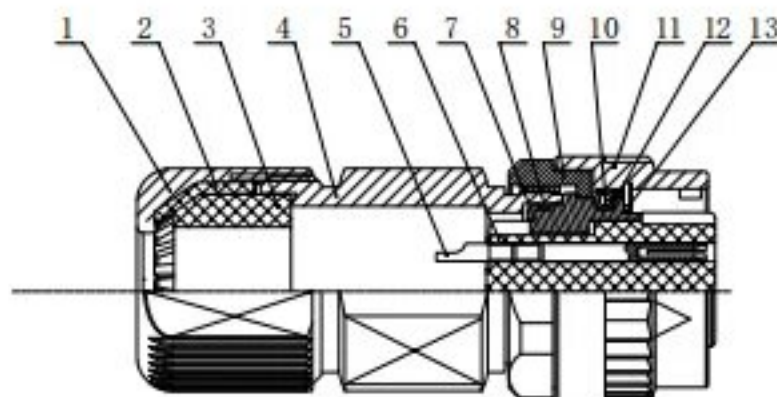
Rated Voltage: 200VAC(r.ms.) Max

Dielectric Withstand Voltage: 1500VAC(r.ms.) / 1 minute

Insulation Resistance: 1000M Q Min. at 500VDC

Operating Temperature: -20C to +105C (including temperature rise)

waterproof rating: IP67 when mated (socket: waterproof separately)



Serial numbe	Accessory name	quantity	materialtexture of material
1	Tail screw cap	1	Zinc alloy nickel plated
2	Plastic tail clip	1	PVC UL94V-0 white
3	Waterproof rubber stoppe	1	Rubber tppa black
4	Through screw sleeve	1	Zinc alloy nickel plated
5	Terminal blocks	2	Phosphor Bronze C5191 Gold Plated
6	Plastic Main body	1	LCP+30%GF UL94V-0 black
7	Main body small colla	1	Zinc alloy nickel plated
8	O-seal ring	2	Rubber tppa black
9	Front female screw ring	1	Zinc alloy nickel plated
10	Small spring	2	Stainless steel SUS
11	Front three card housing	1	Zinc alloy nickel plated
12	Spring compression plate	2	PVC UL94V-0 black
13	Snap spring	1	Stainless steel SUS

