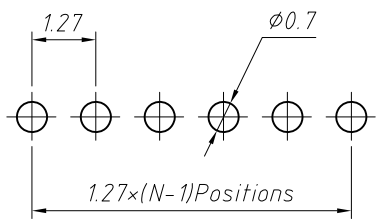
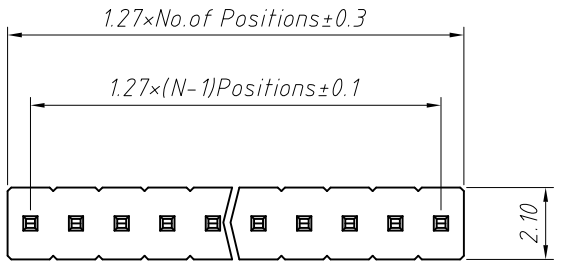


1  
RoHS Compliance

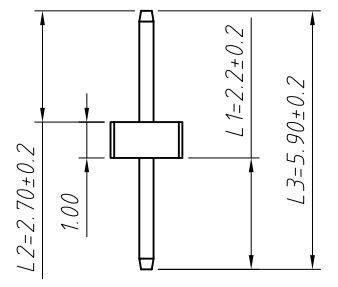
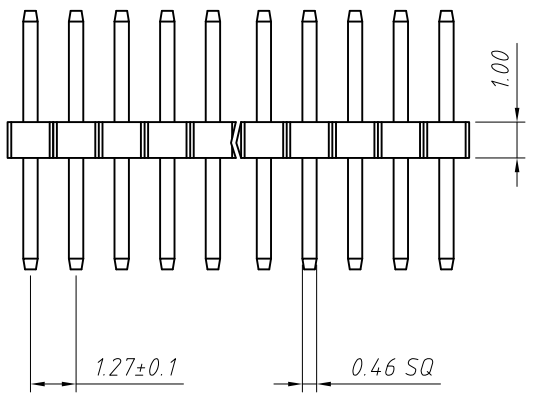


Recommended P.C.B Hole Layout

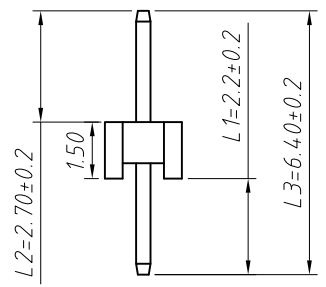
Material:  
Standard:PA6T  
Contact: Brass  
Insulator:Polyester,UL 94V-0

Electrical Characteristics:  
Rated Current: 1AMP  
Contact Resistance: 20mΩ Max  
Withstand Voltage: 500V AC/DC  
Insulator Resistance: 1000MΩ Min

Mechanical  
Operating Temperature: -40°C~+105°C  
Max.Processing Temp:240 for 30-60 seconds  
(260°C for 10 seconds)

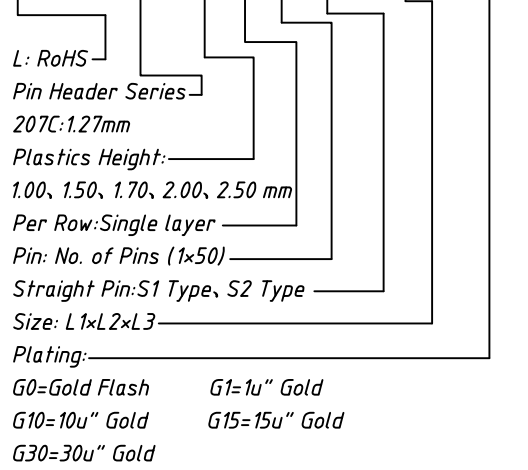


S1 Type



S2 Type

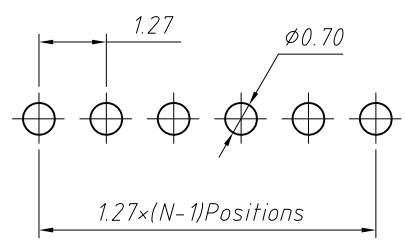
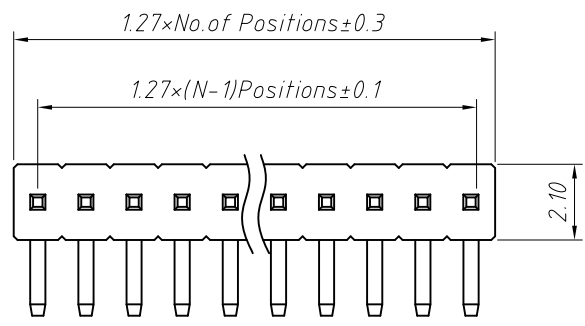
Order Information:  
L-KLS1-207C-1.00-1-XX-S1-L1xL2xL3-G0



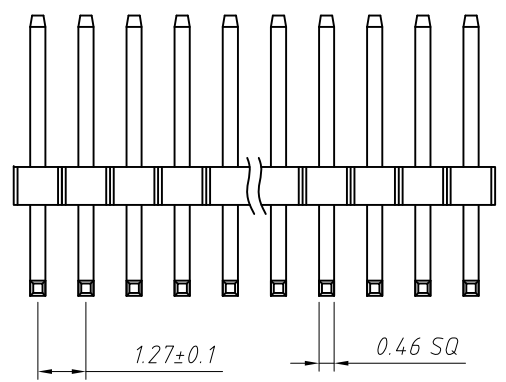
Dimension antitheses list (mm)				
ITEM	L1	L2	L3	Plastic Height
Standard	2.20	2.70	5.90	1.00
Nonstandard	---	---	---	---

ANGLE TOLERANCE	PROJECTION	Description:	1.27mm Pin Header	
±3°		Single layer, Straight Pin, 1xN Pin		
GENERAL TOLERANCE	UNITS	mm	KLS P/N: L-KLS1-207C-1.00-1-XX-S1-L1xL2xL3-G0	
x.x ±0.30	SHEET SIZE	A4		
x.xx ±0.20	Draw:	Daniel		2018-07-10
x.xxx ±0.10	Check:	Daniel		2018-07-10
			NingBo KLS ELECTRONIC CO.,L TD.	

1  
RoHS Compliance

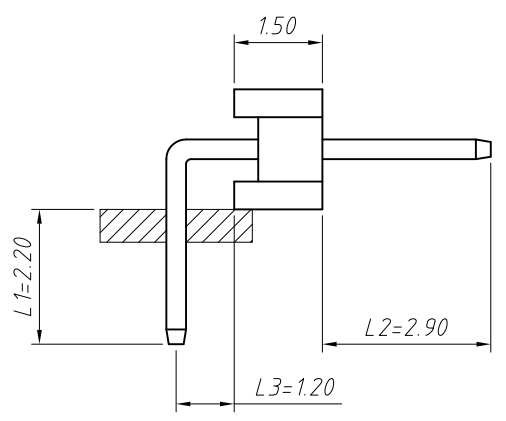


Recommended P.C.B Hole Layout

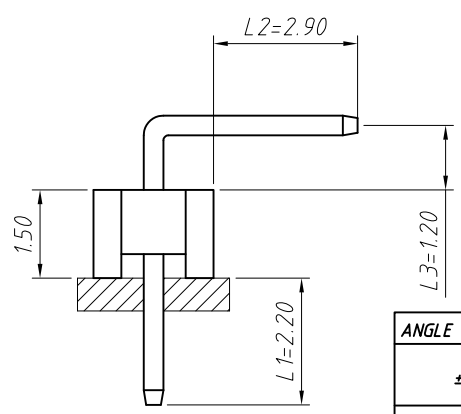


Dimension antitheses list (mm)

ITEM	L1	L2	L3	Plastic Height
Standard	2.20	2.90	1.20	1.50
Nonstandard	---	---	---	---



R2 Type



R1 Type

Material:  
Standard: PA6T  
Contact: Brass  
Insulator: Polyester, UL 94V-0

Electrical Characteristics:  
Rated Current: 1AMP  
Contact Resistance: 20mΩ Max  
Withstand Voltage: 500V AC/DC  
Insulator Resistance: 1000MΩ Min

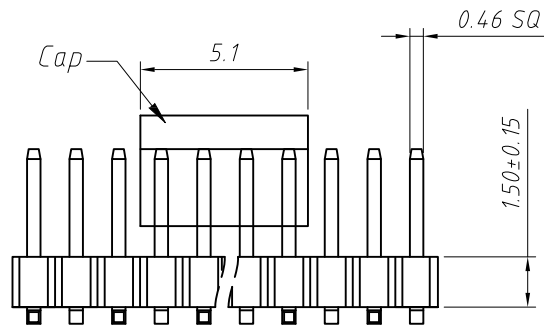
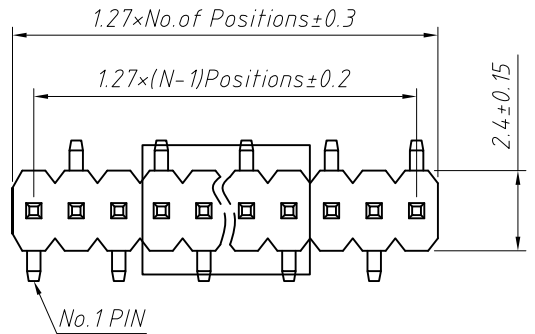
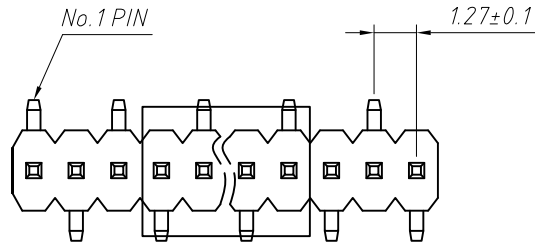
Mechanical  
Operating Temperature: -40°C ~ +105°C  
Max. Processing Temp: 240 for 30-60 seconds  
(260°C for 10 seconds)

Order Information:  
L-KLS1-207C-1.50-1-XX-R1-L1xL2xL3-G0

L: RoHS  
Pin Header Series  
207C: 1.27mm  
Plastics Height:  
1.00, 1.50, 1.70, 2.00, 2.50 mm  
Per Row: Single layer  
Pin: No. of Pins (1x50)  
Right Angle: R1 Type, R2 Type  
Size: L1xL2xL3  
Plating:  
G0=Gold Flash      G1=1u" Gold  
G10=10u" Gold      G15=15u" Gold  
G30=30u" Gold

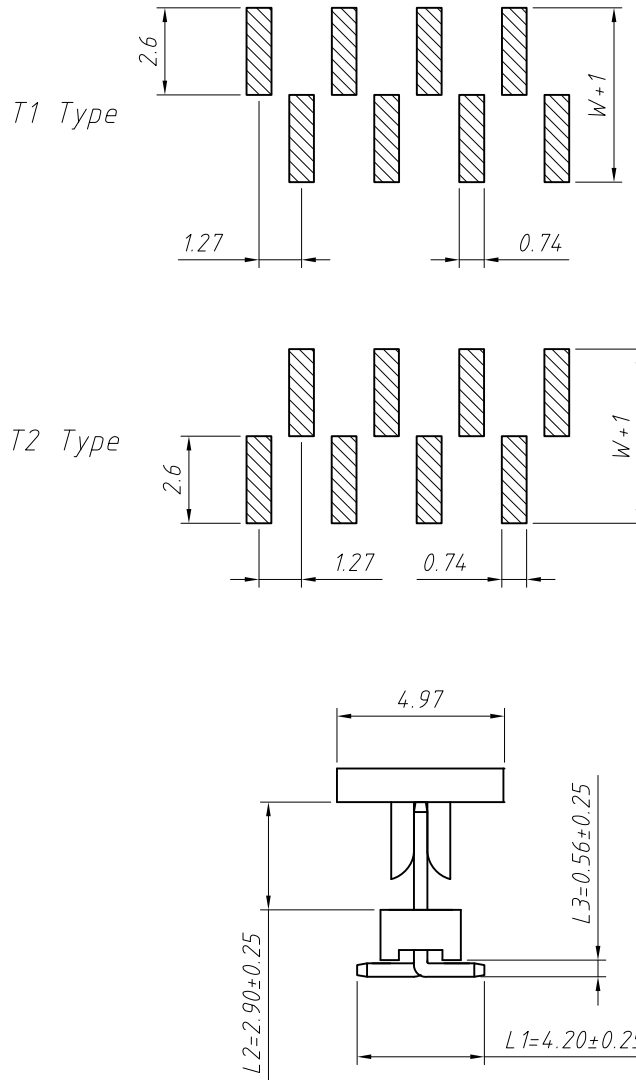
ANGLE TOLERANCE	PROJECTION	Description:	1.27mm Pin Header	
±3°		Single layer, Right Angle Pin, 1xN Pin		
GENERAL TOLERANCE	UNITS	mm	KLS P/N:	L-KLS1-207C-1.50-1-XX-R1-L1xL2xL3-G0
x.x ±0.30	SHEET SIZE	A4	NingBo KLS ELECTRONIC CO.,L TD.	
x.xx ±0.20	Draw:	Daniel		
x.xxx ±0.10	Check:	Daniel		

1 RoHS Compliance



Dimension antitheses list (mm)				
ITEM	L1	L2	L3	Plastic Height
Standard	4.20	2.90	0.56	1.50
Nonstandard	---	---	---	---

### Recommended P.C.B Layout



Material:  
Standard: PA6T  
Contact: Brass  
Insulator: Polyester, UL 94V-0

Electrical Characteristics:  
Rated Current: 1AMP  
Contact Resistance: 20mΩ Max  
Withstand Voltage: 500V AC/DC  
Insulator Resistance: 1000MΩ Min

Mechanical  
Operating Temperature: -40°C ~ +105°C  
Max. Processing Temp: 230°C for 30-60 seconds  
(260°C for 10 seconds)

### Order Information:

L-KLS1-207C-1.50-1-XX-T1-L1xL2xL3-G0

L: RoHS  
Pin Header Series  
207C: 1.27mm  
Plastics Height:  
1.00, 1.50, 1.70, 2.00, 2.50 mm  
Per Row: Single layer  
Pin: No. of Pins (1x50)  
SMT Pin: T1 Type, T2 Type  
Size: L1xL2xL3  
Plating:  
G0=Gold Flash      G1=1u" Gold  
G10=10u" Gold      G15=15u" Gold  
G30=30u" Gold

ANGLE TOLERANCE	PROJECTION	Description:	1.27mm Pin Header	
±3°		Single layer, SMT, 1xN Pin		
GENERAL TOLERANCE	UNITS	mm	KLS P/N:	L-KLS1-207C-1.50-1-XX-T1-L1xL2xL3-G0
x.x ±0.30	SHEET SIZE	A4		
x.xx ±0.20	Draw:	Daniel	2018-07-10	NingBo KLS ELECTRONIC CO.,L TD.
x.xxx ±0.10	Check:	Daniel	2018-07-10	

1  
RoHS Compliance

2

3

4

5

6

7

8

A

B

C

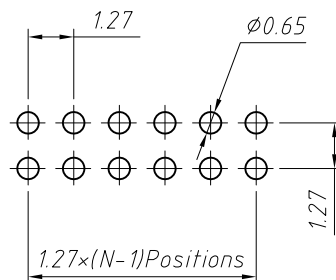
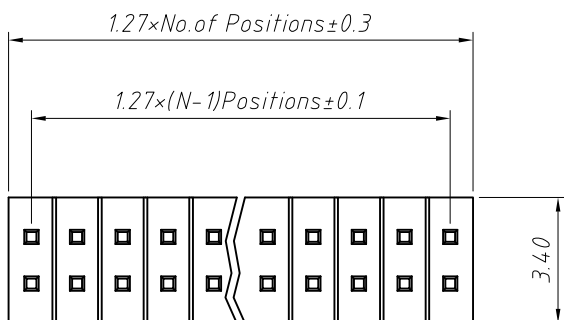
D

E

F

G

H

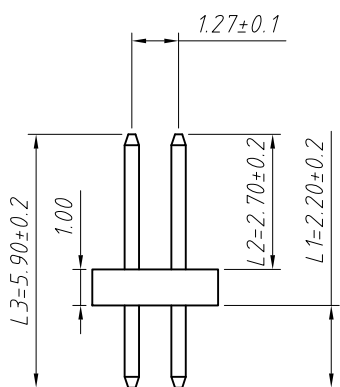
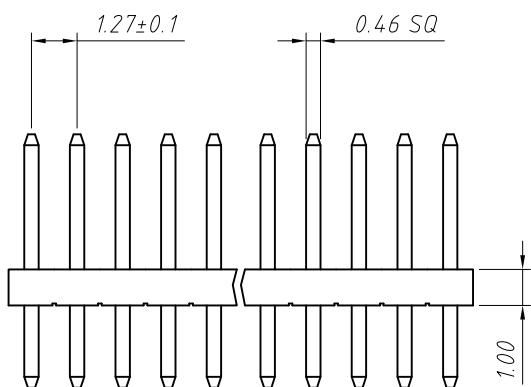


Recommended P.C.B Hole Layout

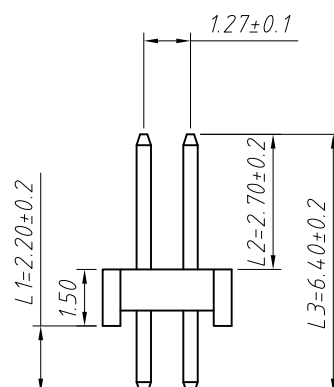
Material:  
Standard: PA6T  
Contact: Brass  
Insulator: Polyester, UL 94V-0

Electrical Characteristics:  
Rated Current: 1AMP  
Contact Resistance: 20mΩ Max  
Withstand Voltage: 500V AC/DC  
Insulator Resistance: 1000MΩ Min

Mechanical  
Operating Temperature: -40°C ~ +105°C  
Max. Processing Temp: 240 for 30-60 seconds  
(260°C for 10 seconds)

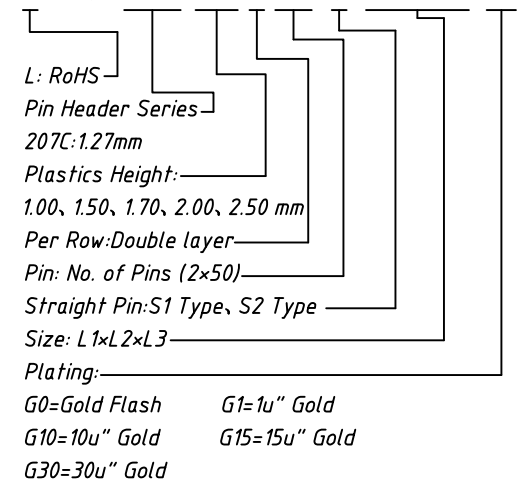


S1 Type



S2 Type

Order Information:  
L-KLS1-207C-1.00-2-XX-S1-L1xL2xL3-G0



Dimension antitheses list (mm)				
ITEM	L1	L2	L3	Plastic Height
Standard	2.20	2.70	5.90	1.00
Nonstandard	---	---	---	---

ANGLE TOLERANCE	PROJECTION	Description:	1.27mm Pin Header	
±3°		Double layer, Straight Pin, 1xN Pin		
GENERAL TOLERANCE	UNITS	mm	KLS P/N:	L-KLS1-207C-1.00-2-XX-S1-L1xL2xL3-G0
x.x ±0.30	SHEET SIZE	A4		NingBo KLS ELECTRONIC CO.,L TD.
x.xx ±0.20	Draw:	Daniel	2018-07-10	
x.xxx ±0.10	Check:	Daniel	2018-07-10	

1

2

3

4

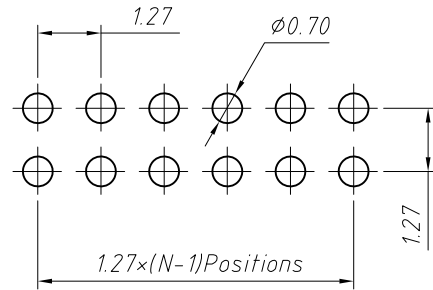
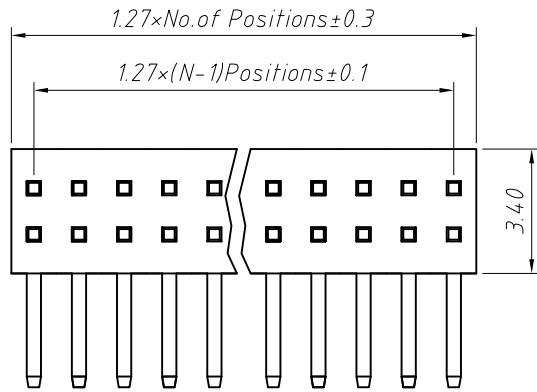
5

6

7

8

1 RoHS Compliance

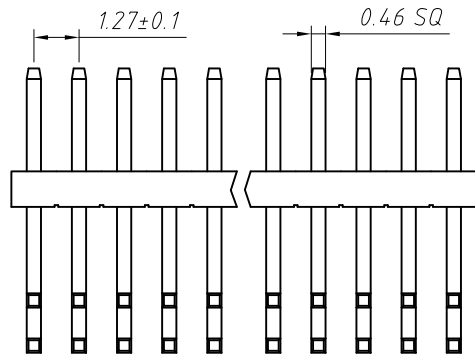


Recommended P.C.B Hole Layout

**Material:**  
 Standard: PA6T  
 Contact: Brass  
 Insulator: Polyester, UL 94 V-0

**Electrical Characteristics:**  
 Rated Current: 1AMP  
 Contact Resistance: 20mΩ Max  
 Withstand Voltage: 500V AC/DC  
 Insulator Resistance: 1000MΩ Min

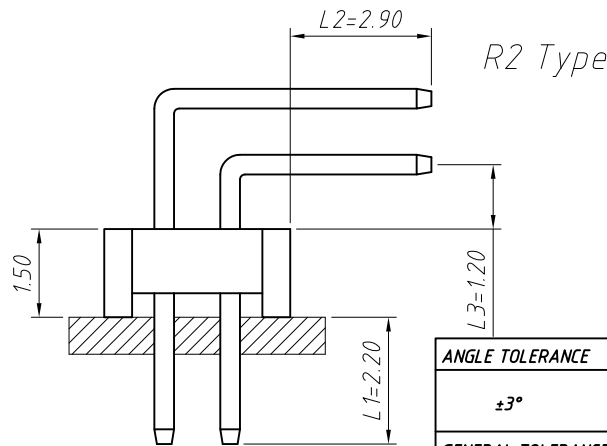
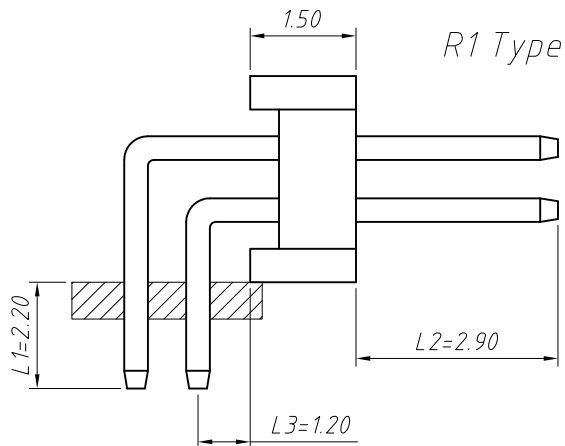
**Mechanical**  
 Operating Temperature: -40°C ~ +105°C  
 Max. Processing Temp: 240 for 30-60 seconds  
 (260°C for 10 seconds)



Dimension antitheses list (mm)				
ITEM	L1	L2	L3	Plastic Height
Standard	2.20	2.90	1.20	1.50
Nonstandard	---	---	---	---

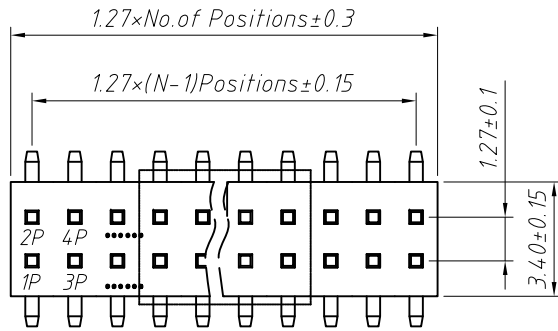
**Order Information:**  
 L-KLS1-207C-1.50-2-XX-R1-L1xL2xL3-G0

L: RoHS  
 Pin Header Series  
 207C: 1.27mm  
 Plastics Height:  
 1.00, 1.50, 1.70, 2.00, 2.50 mm  
 Per Row: Double layer  
 Pin: No. of Pins (2x50)  
 Right Angle: R1 Type, R2 Type  
 Size: L1xL2xL3  
 Plating:  
 G0=Gold Flash      G1=1u" Gold  
 G10=10u" Gold      G15=15u" Gold  
 G30=30u" Gold

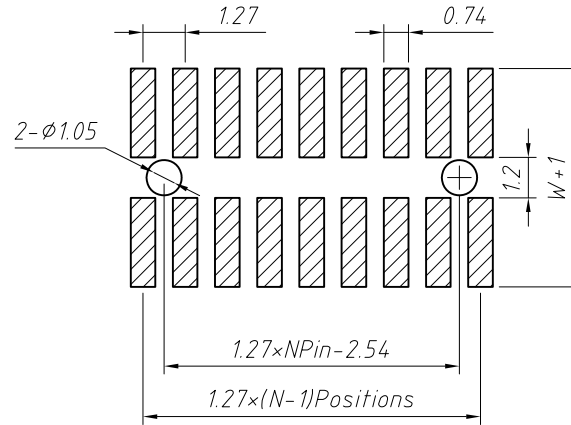


ANGLE TOLERANCE	PROJECTION	Description:	1.27mm Pin Header	
±3°		Double layer, Right Angle Pin, 1xN Pin		
GENERAL TOLERANCE	UNITS	mm	KLS P/N:	L-KLS1-207C-1.50-2-XX-R1-L1xL2xL3-G0
x.x ±0.30	SHEET SIZE	A4		NingBo KLS ELECTRONIC CO., L TD.
x.xx ±0.20	Draw:	Daniel	2018-07-10	
x.xxx ±0.10	Check:	Daniel	2018-07-10	

1 RoHS Compliance



Recommended P.C.B Layout



Material:  
Housing:PA6T  
Contact: Brass

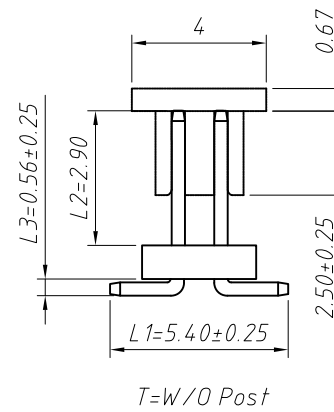
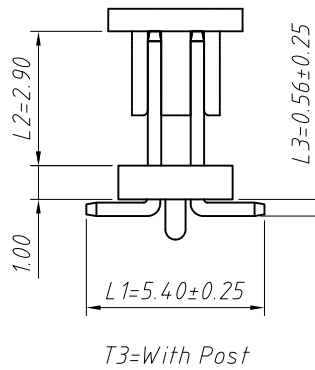
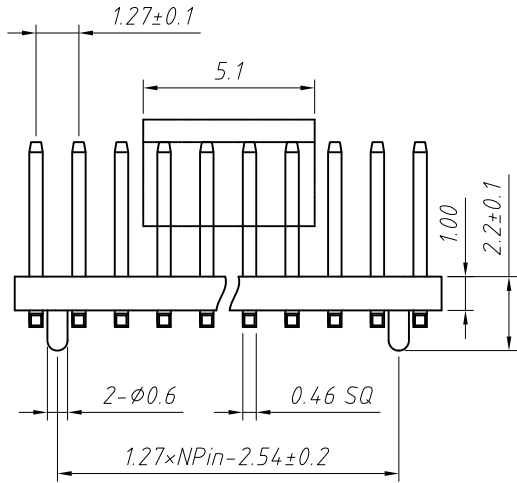
Electrical Characteristics:  
Rated Current: 1AMP  
Contact Resistance: 20mΩ Max  
Withstand Voltage: 500V AC/DC  
Insulator Resistance: 1000MΩ Min

Mechanical  
Operating Temperature: -40°C ~ +105°C

Order Information:

L-KLS1-207C-1.00-2-XX-T-L1xL2xL3-G0-R

L: RoHS  
Pin Header Series  
207C:1.27mm  
Plastics Height:  
1.00, 1.50, 1.70, 2.00, 2.50 mm  
Per Row:Double layer  
Pin: No. of Pins (2x40)  
SMT Pin:T3=With Post T=W/O Post  
Size:L1xL2xL3  
Plating:  
G0=Gold Flash G1=1u" Gold G10=10u" Gold  
G15=15u" Gold G30=30u" Gold  
Packing:  
0=PE Bag A=Tray T=Tube  
P=Tube+Cap R=Reel+Cap



Dimension antitheses list (mm)				
ITEM	L1	L2	L3	Plastic Height
Standard	5.40	2.90	0.56	1.00
Nonstandard	---	---	---	---

ANGLE TOLERANCE	PROJECTION	Description:	1.27 Pin Header	
±3°		Double layer, 2xN Pin horizontal SMT		
GENERAL TOLERANCE	UNITS	mm	KLS P/N:	L-KLS1-207C-1.00-2-XX-T-L1xL2xL3-G0-R
x.x ±0.30	SHEET SIZE	A4		
x.xx ±0.20	Draw:	Daniel	2018-07-10	NingBo KLS ELECTRONIC CO.,L TD.
x.xxx ±0.10	Check:	Daniel	2018-07-10	