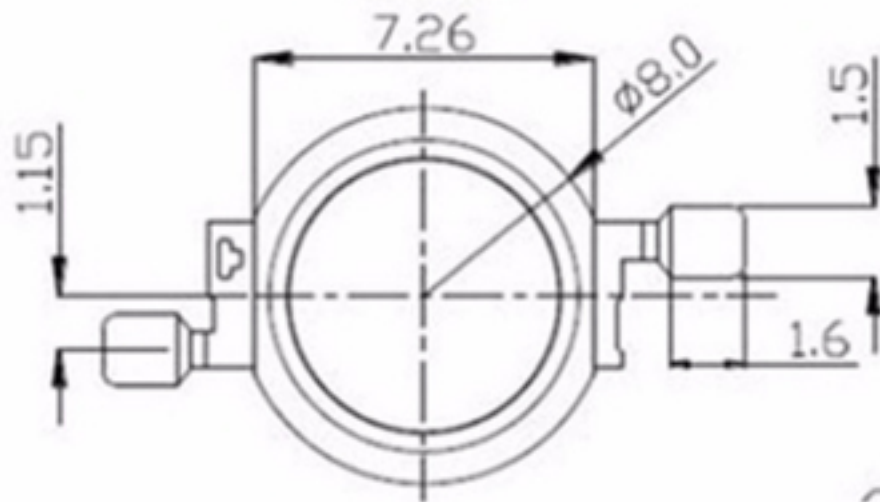
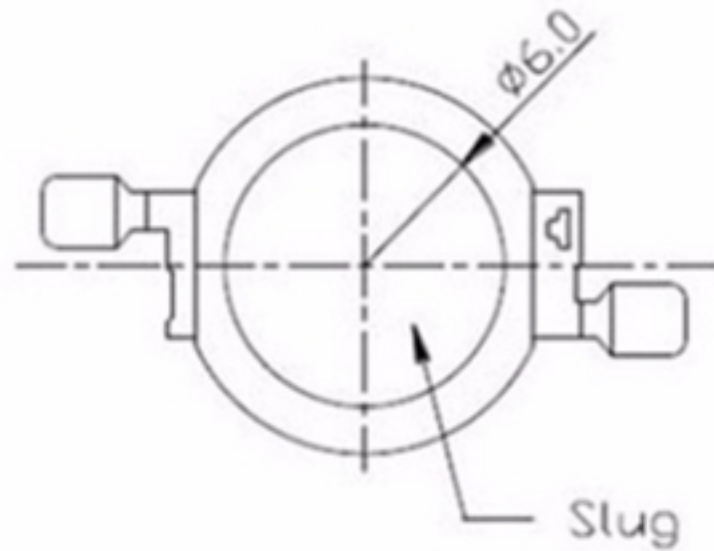


1W 3W

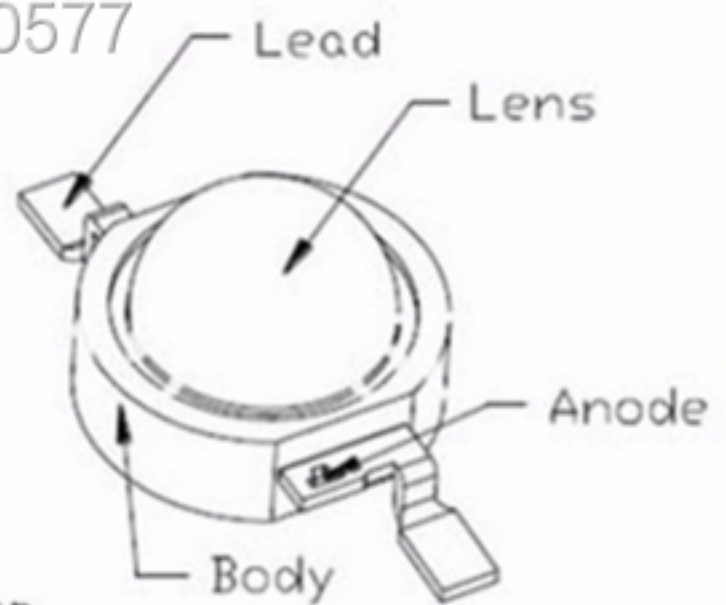
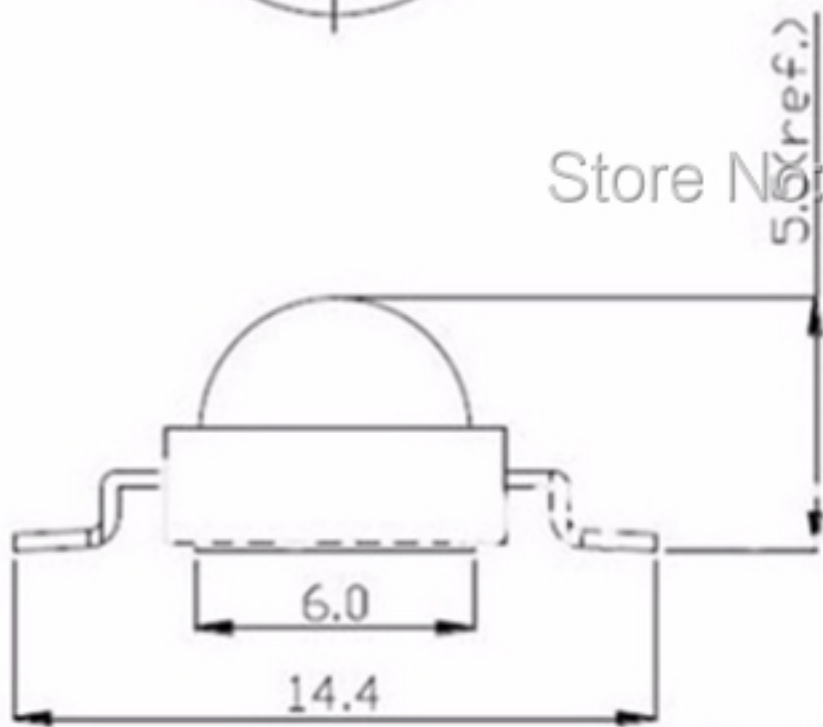
TOP VIEW



BOTTOM VIEW



Store No. 1080577



Circuit Diagram

