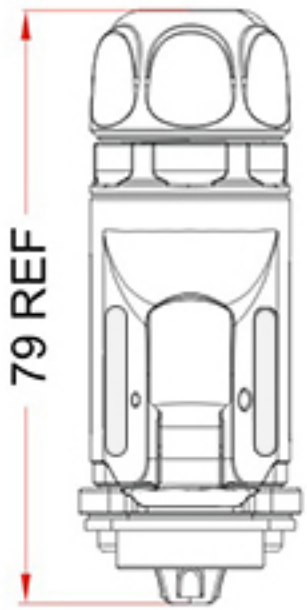
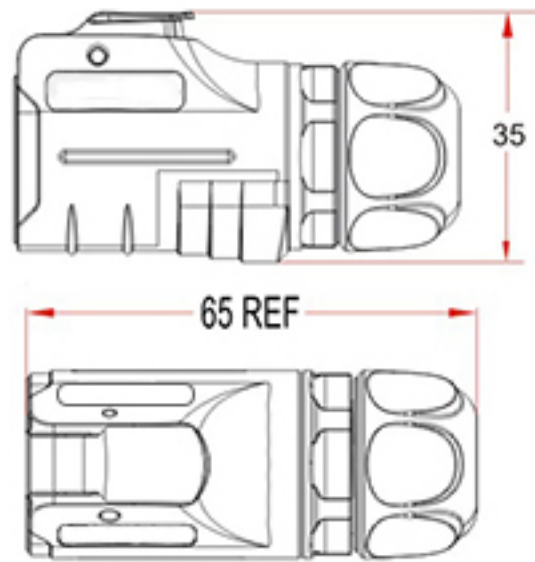


# Dimensions

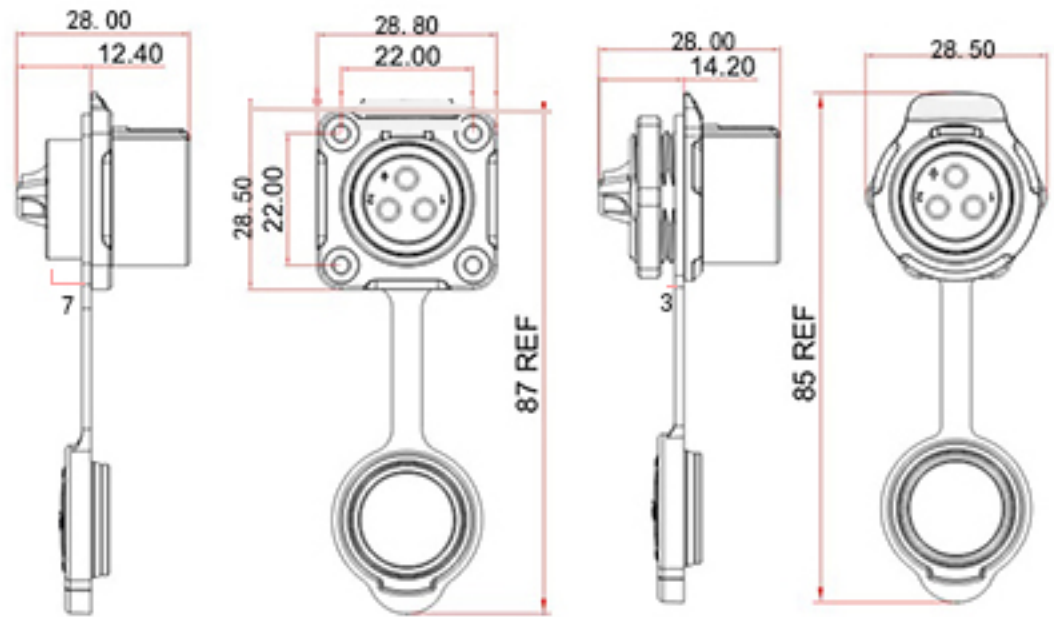
Dimensions figure



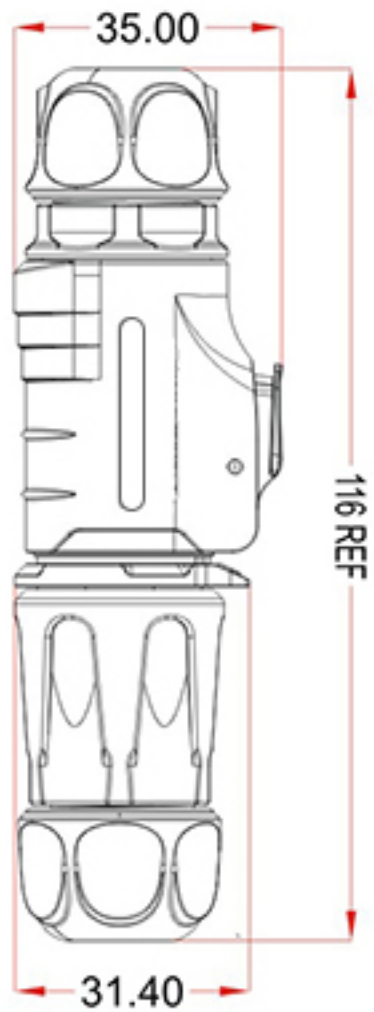
PE clamping cable plug (dimensions figure)



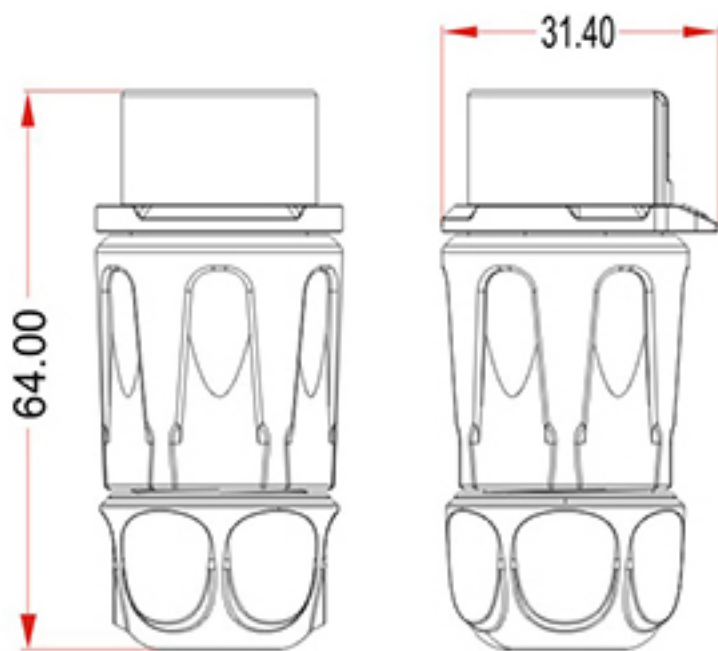
S socket (dimensions figure)



Dimensions figure



S socket (dimensions figure)



Installation hole figure

