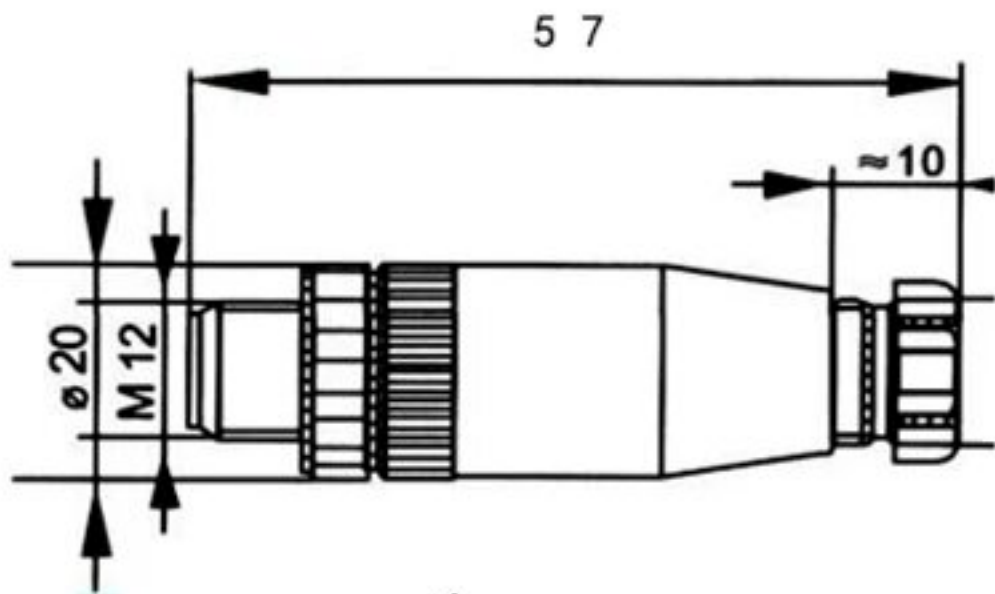
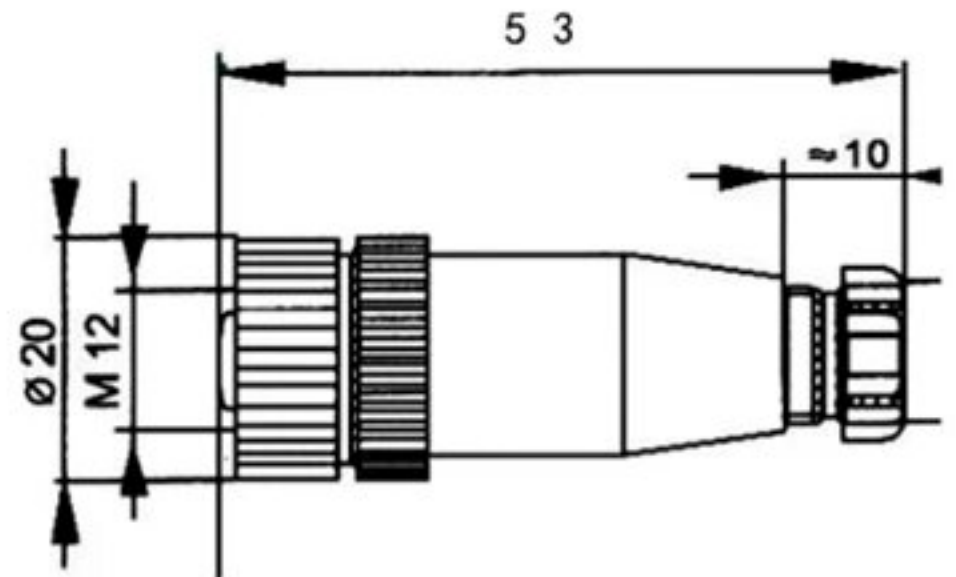


材料和技术参数 Material & Specifications

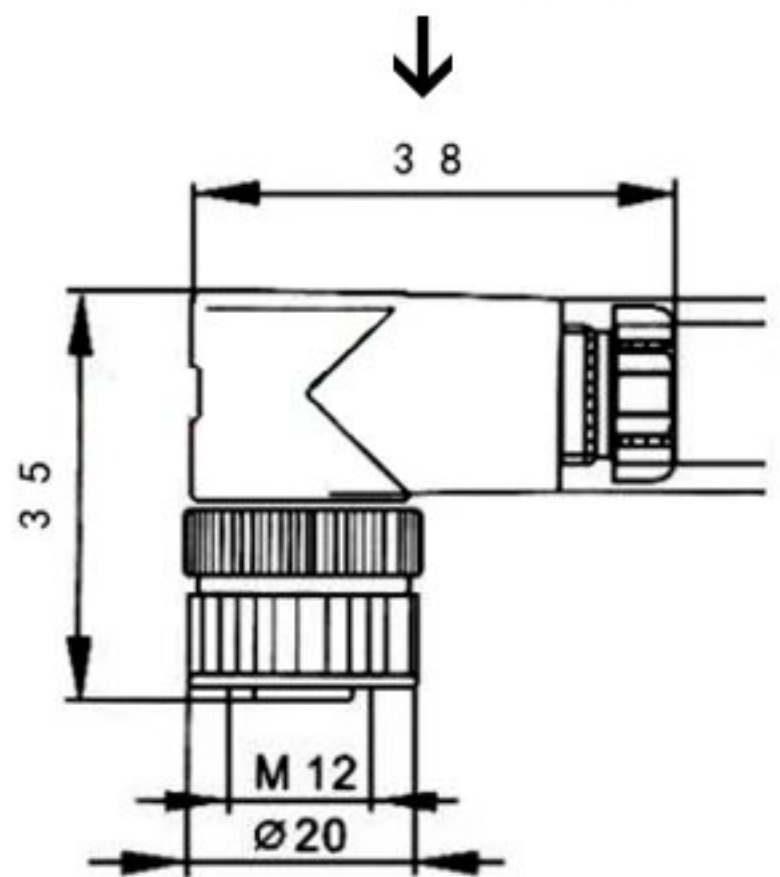
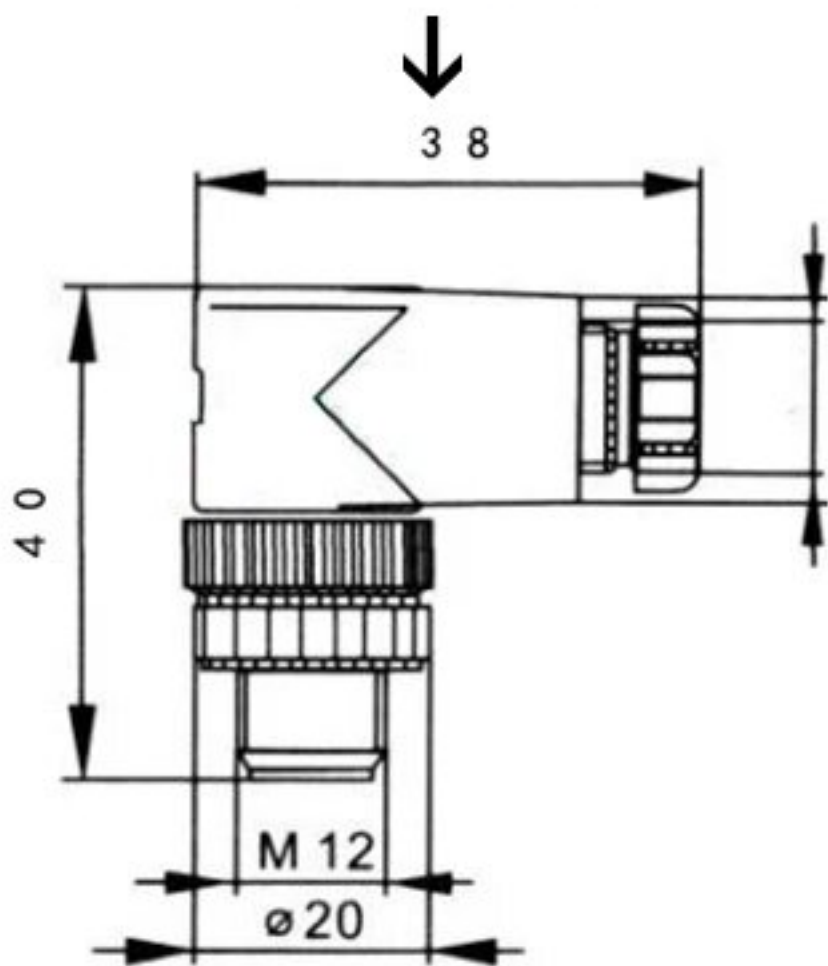
针数	Contacts	3Pin	4Pin	5Pin	8Pin
电缆直径	Cable outlet	4~7mm(PG7)/7~9mm(PG9)			
锁紧方式	Coupling	螺纹锁紧/Threaded Coupling			
接线方式	Termination	螺钉压接/Screw			
线规	Wire Size	螺钉0.14-0.5mm (AWG 26-20)			
防护等级	Protection Degree	IP67			
接插次数	Mating Cycle	≥100			
工作温度范围	Temperature Range	-25°C~+85°C			
额定电压	Rated Voltage	250V	250V	60V	30V
耐压	Withstanding Voltage	2500V	2500V	1500V	800V
额定电流	Rated Current	4A			2A
接触电阻	Contact Resistance	≤3mΩ			
绝缘组别	Insulation Division	Ⅲ			
过电保护等级	Ovar Voltage Protection Level	Ⅱ			



Male Size



Female Size

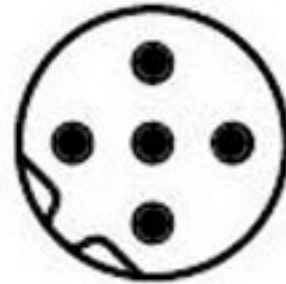


A Type

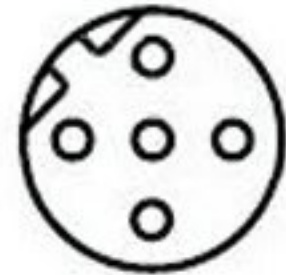
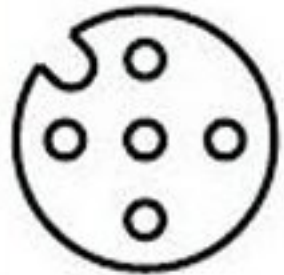
B Type

D Type

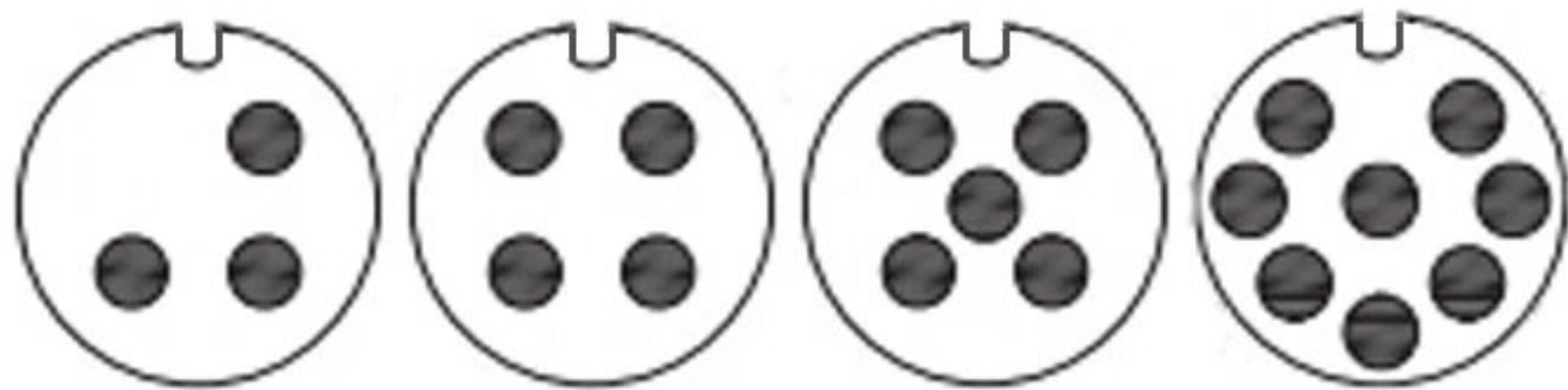
Male



Female



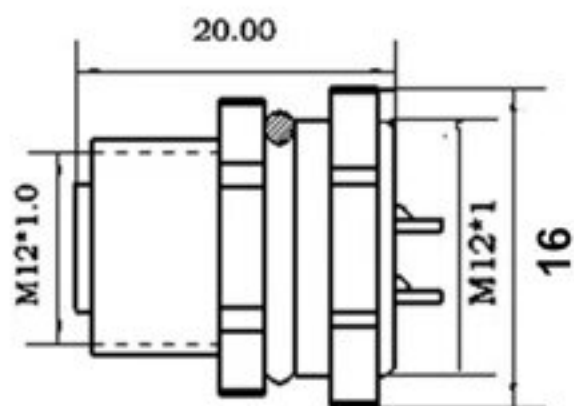
A Type 3,4,5,8pin



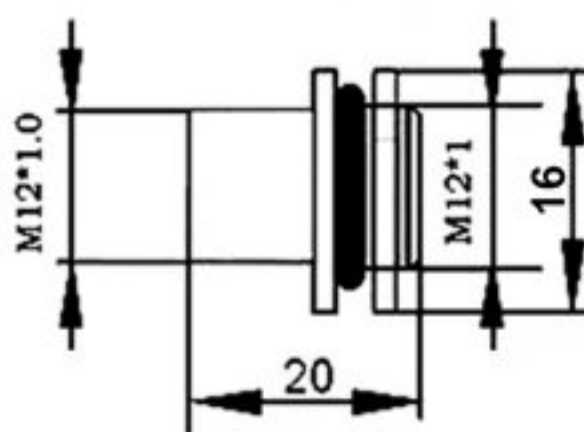
Male arrangement diagram

M12 Connector Socket

Female



Male



技术参数 Specifications

针数	4	5	8	Number of contacts
锁紧方式	螺纹M12×1/solder			Locking s/stem
连接方式	焊接, 带导线连接/solder,wires			Termination
连接截面mm ²	Max.0.25mm ² (AWG max.24) loten/solder			Wire gauge in mm ²
电缆直径				Cable outlet(mm)
外壳防护等级	IP67			Shell protection
机械寿命	>100 Steckzyklen/>100 mating cycles			Mechanical operation
高温	+85℃			Upper temperature
低温	-25℃			Lowertemperature
额定电压	250V	60V	60V	Rated voltage
测量冲击电压	2500V	1500V	1500V	Rated imouse voltage
污染等级	3			Pollution degree
过电压保护等级	II			Overvoltage categorie
绝缘组别	III			Material group
额定电流 (40℃)	4A	2A		Rated current(40℃)
过渡电阻	≤3Ω			Contact resistance
触点、针	CuZn(Messing/brass)			Pin contact
触点表面	Au(Gole/gold)			Contact plating
针体	PA(UL94HB)			Male insert
电缆插头外壳	黄铜/铸锌镀镍/brass/zinc diecasting nickel plated			Housing canle connector